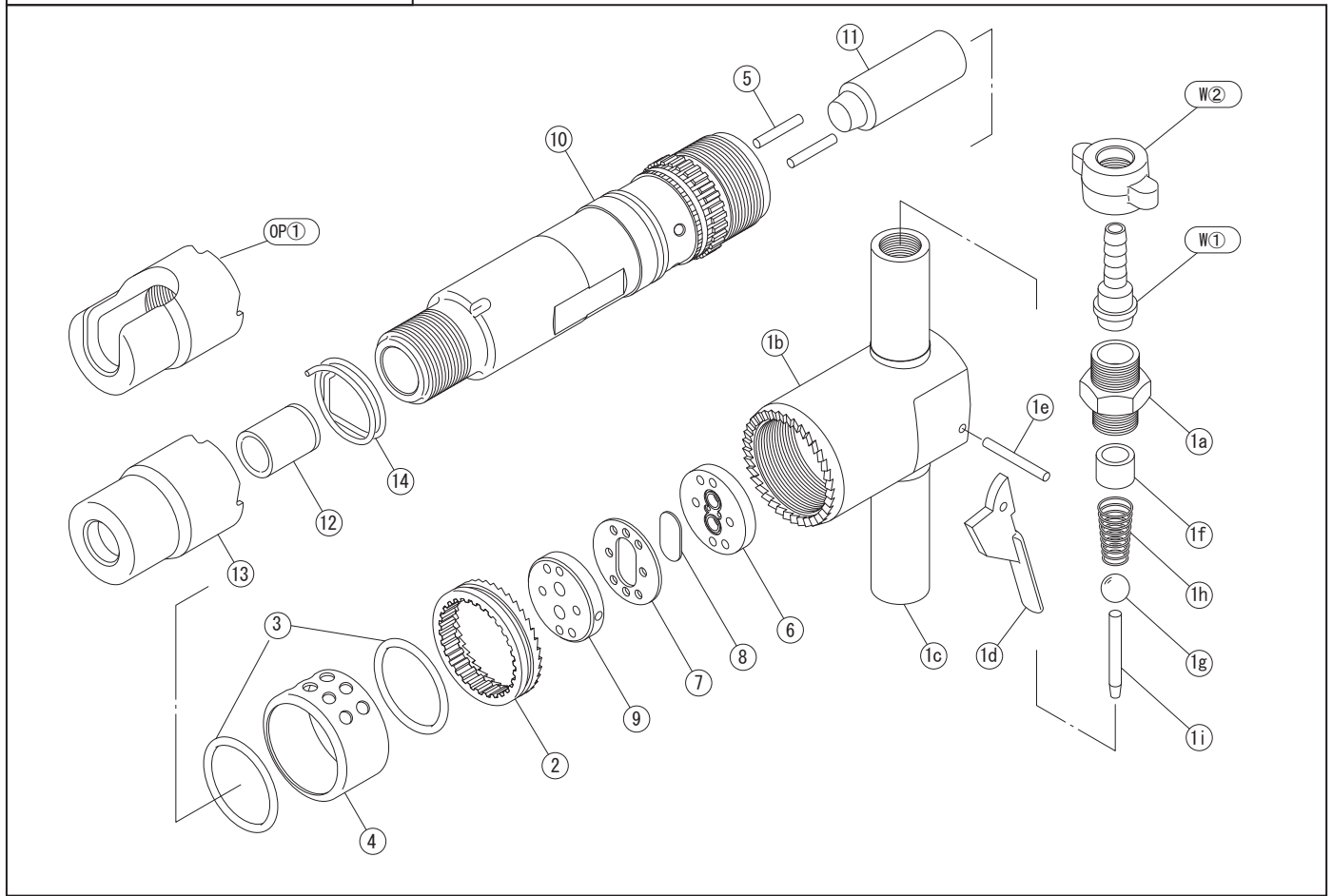


PARTS LIST


No.	Code	Name Of Part	Q'ty		No.	Code	Name Of Part	Q'ty	
1	C3102	Handle Assy	1		OP①	3118	Cutter Retainer	1	
1a	3002	Inlet Bush	1						
1b	3102	Handle Body	1		OP	TC11040	Chisel (Moil Point) 400mm	1	
1c	3103	Handle Grip	1		OP	TC10040	Chisel (Flat) 400mm	1	
1d	3101	Throttle Lever	1						
1e	3004	Throttle Lever Pin	6*53	1					
1f	3104	Diaphragm	1						
1g	9473	Throttle Valve	3/4	1					
1h	9233	Throttle Spring	1						
1i	3105	Throttle Pin	#66	1					
2	3106	Clutch	1						
3	9418	O-Ring	P-60	2					
4	3108	Exhaust Cover	1						
5	9526	Valve Pin	6*29.8	2					
6	3110	Upper Valve Sheet	1						
7	3111	Valve Case	1						
8	3112	Valve	1						
9	3113	Lower Valve Sheet	1						
10	3114	Cylinder	1						
11	3115	Piston	1						
12	3116	Cylinder Bush	1						
*13	3117	Chisel Retainer	1						
14	9273	Retainer Spring	1						
W①	9000	Hose Nipple	1/2	1					
W②	9660	Cap Nut	1						